

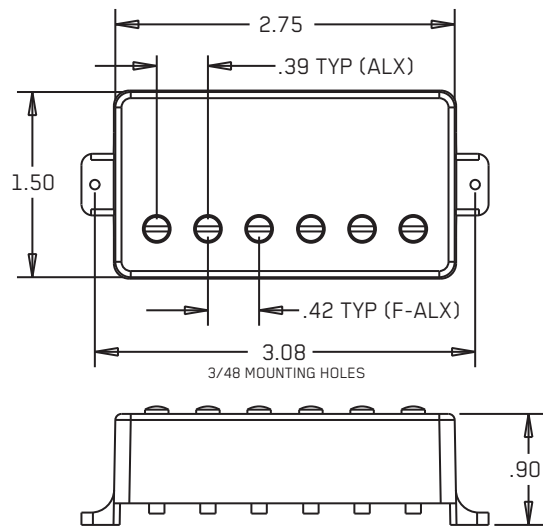


0230-0154C

PO BOX 4394
SANTA ROSA, CA
95402 USA

P (707) 525-9941
F (707) 575-7046
EMGPICKUPS.COM

ALTERNATE INSTALLATION INFORMATION EMG MODELS: ALX SET, F-ALX SET



SPECIFICATIONS:

Logo Color
Magnet Type *
Inductance (Henries) (1)
DC Resistance (kOhm)
Resonant Frequency (KHz)

MODEL:

ALX / F-ALX
Silver
C/S
4.53
8.40
See Below

ABQ Pre-Amp

Input Impedance (Kohm)	500
Input Noise	-148
Maximum Gain	20dB
Output Impedance (Kohm)	2.00
Current @9V (Microamps)	195
Battery Life (Hours)	1500
Maximum Supply (Volts DC)	27

*C/S (Ceramic/Steel)
(1) Wired in Series

INSTALLATION NOTES: (Alternate Models)

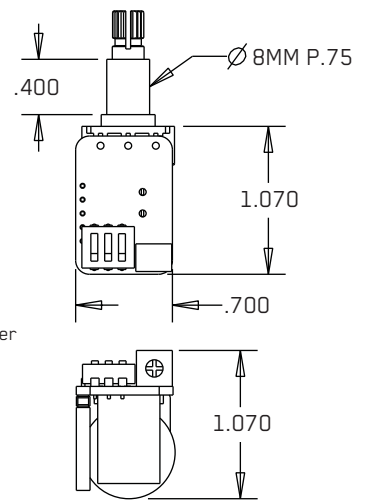
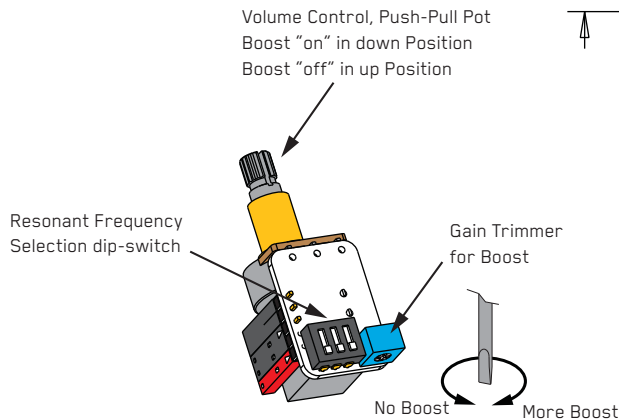
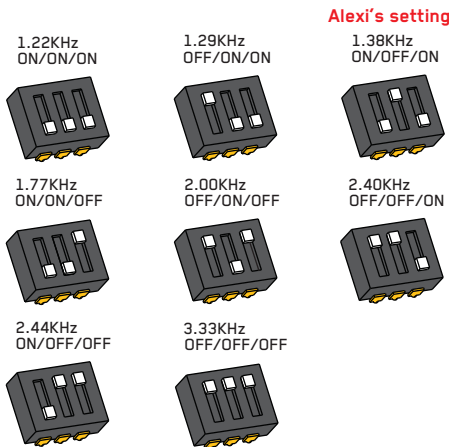
The EMG-ALX set includes either an ALX Pickup or the F-ALX (Floyd Rose Spacing) and the ABQ Preamp. The ALX/F-ALX Pickups are slightly overwound humbucking pickups that feature a ceramic magnet for clarity. The ABQ Pre-amp has a Push-Pull Pot with an adjustable boost in the down position. The ABQ Pre-amp has a 3-position dip switch that allows the resonance of the pickup to be altered to a variety of fixed frequencies. There are two different instruction sets for the ALX Set. This alternate set of instructions are for guitars that are wired differently than the Alexi Laiho Signature Model, or that may have more than one pickup. The other set of instructions is designed for the Signature Model.

For further information go to <http://www.emgpickups.com>.

SPECIAL NOTE: The Red Wire of the HZ Pickup Cable is NOT for battery power, it is a coil wire.

EMG-ABQ PRE-AMP (Frequency Selection)

The 3-position dip switch allows you to change the resonant frequency at the input to the pre-amp. The frequencies will be different if you use a passive pickup other than the ALX. If you use an Active EMG Pickup the switches will not make any change.



WARRANTY

All EMG Pickups and accessories are warranted for a period of two years. This warranty does not cover failure due to improper installation, abuse or damage. If upon examination the pickup is determined to be defective, a replacement will be made. Warranty replacement products are covered by this same warranty. This warranty covers only those pickups and accessories sold by authorized EMG Dealers. This warranty is not transferable.

Installation Instructions:

EMG Model: ALX (F-ALX/ALX and ABQ Pre-Amp)

General Notes:

- Every attempt has been made to make this a solderless installation. There are some instances where this is not possible;
- 1) If your instrument uses the long panel output jack, soldering will be required
 - 2) Instruments with two pickups may need soldering to the selection switch in some installations.

If you are installing only one pickup use the instructions on this page. If you are installing two pickups go to page 3 and begin there.

Installation (One Pickup Guitars):

- 1) Plug the pickup cable onto the EMG Pickup header as shown in Diagram #1 and route the cable to the control cavity. If the cable is too long, wind up the excess and keep it under the pickup if possible. Diagram #2 shows the factory pre-wired cable. The Green wire and shield are pre-wired to Pin 1 and the Red wire is pre-wired to Pin 2. The Red wire is the signal output from the pickup. The White and Black wires are wired together and covered with shrink tubing. This is standard humbucking series wiring.

Using the ABQ Pre-Amp as the only control on the guitar

- 2) Refer to Diagram #3. Plug the Pickup cable to the input of the ABQ Pre-Amp (Note the reversed connector) and plug a coax cable from the output of the ABQ Pre-Amp to the output jack as shown then go to step 4.

Master Volume and Tone control

- 3) Refer to Diagram #4. Plug the Pickup cable onto the Tone control first as shown. Plug a coax cable from the Tone control to the ABQ Pre-Amp (Note the reversed connector). Plug the output cable from the ABQ Pre-Amp to the output jack as shown. WHITE wire to the TIP (T) contact, BLACK wire to the SLEEVE (S) contact Battery Negative BLACK to the RING (R) contact We suggest that you plug in the instrument and test it before closing the control cavity.
- 4) Connect the RED wire of the battery clip and the RED of the ABQ Pre-amp to the battery buss. Put a battery onto the battery clip and test the guitar before closing the control compartment

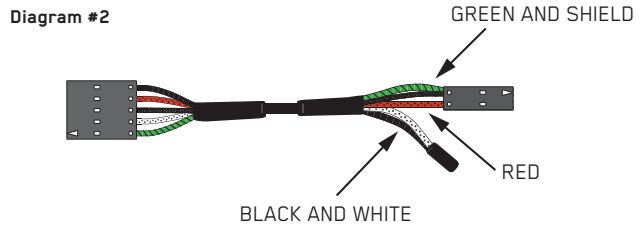
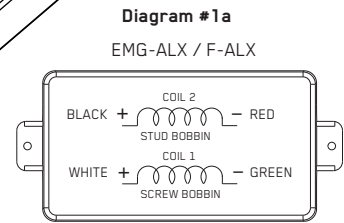
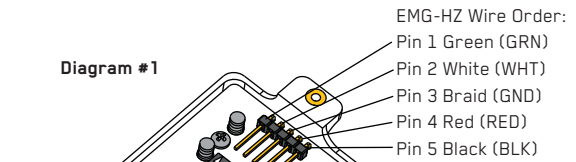


Diagram #3
One Pickup
One Volume
One Tone

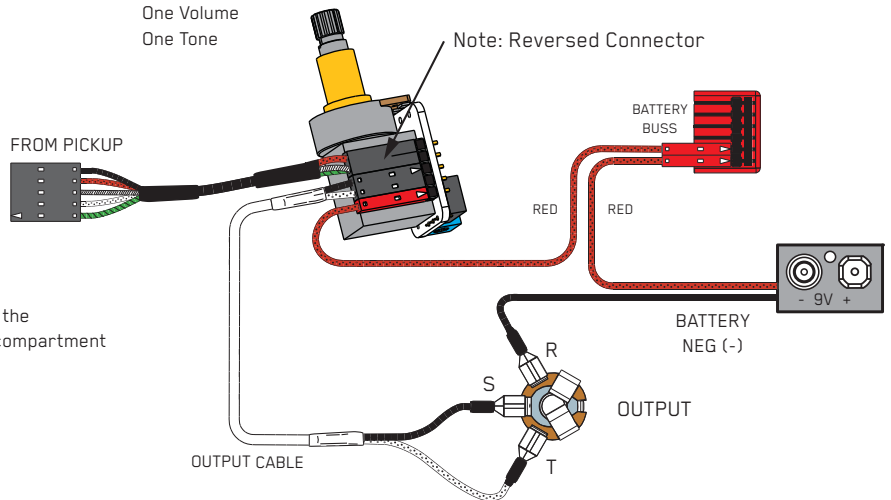
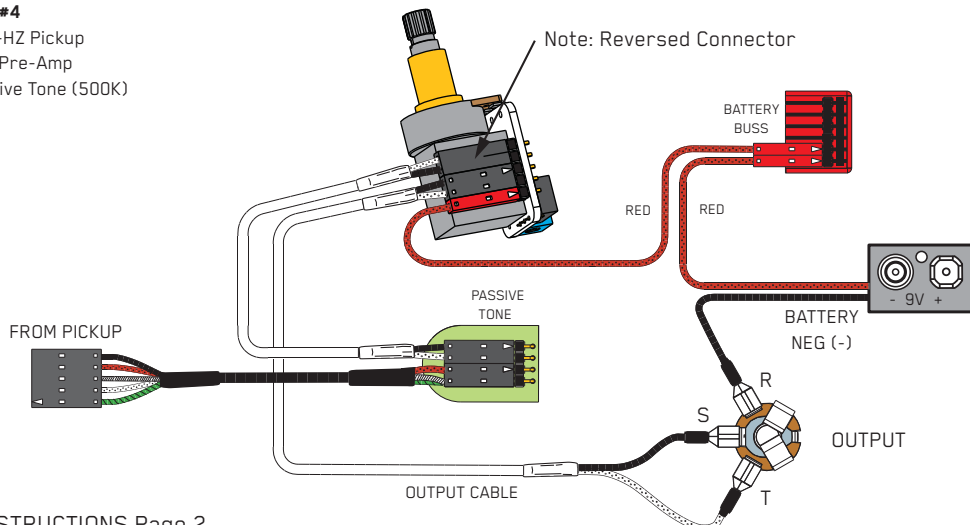


Diagram #4
One EMG-HZ Pickup
One ABQ Pre-Amp
One Passive Tone (500K)



Installation Instructions:

EMG Model: ALX (F-ALX/ALX and ABQ Pre-Amp)

Installation (Two Pickup Guitars with Selection switch):

Guitars with two pickups and a selection switch will use the EMG B157 Pickup Buss. The Pickup Buss is a convenient way to wire your guitar without soldering. There is a separate sheet attached to these instructions that describes the Pickup Buss in detail. Tips for powering the Pre-Amp are shown on Page 4. In all installations it's best to find a place to mount the Pickup Buss in the control cavity before starting. Then, after the cables are routed use the velcro to mount it securely.

2 Pickups / Toggle Select Switch / Master Tone and ABQ Pre-Amp

- 1) Install the Pickups and route the Pickup cables to the control cavity.
If the cables are too long, wind up the excess and keep it under the pickup.
- 2) Mount the Tone Control and and ABQ Pre-Amp into the body.
Plug both Pickup cables onto the Pickup Buss (BLACK Shroud) as shown,
Refer to Diagram #5a
Bridge Pickup to Position 1
Neck Pickup to Position 2.
- 3) Plug a coax cable from the Pickup Buss (Position 3) to the Master Tone control as shown in Diagram #5b.
- 4) Plug a coax cable from the Master Tone to the ABQ Pre-Amp as shown.
- 5) Strip the insulation from the switch wires and Insert them into the GREEN Terminal Block and tighten the screws with a small screwdriver.
The Bridge pickup goes to the BR Terminal
The Neck pickup goes to the NK Terminal
The Output of the switch goes to the O Terminal
If there is a ground wire coming from the switch, insert it into one of the black terminals on the terminal block.
- 6) Plug the output cable onto the Master Tone control and connect the output wires to the output jack by pushing the connectors on as shown.
WHITE wire onto the TIP (T) contact,
BLACK wire onto the SLEEVE (S) contact
Battery Negative BLACK wire to the RING (R) contact
We suggest that you plug in the instrument and test it before closing the control cavity.

****Tips and Tricks****

Start your installation by:

- 1) Remove the strings
- 2) Remove any existing Pickups and controls
(remember the order and function of each control)
- 3) Determine a good spot for the Pickup Buss and make sure the cable or wires from the selection switch will reach the Pickup Buss,
- 4) Install the EMG Volume and Tone Controls and tighten them in.
- 5) Then install the pickups keeping any excess cable under the pickup rather than in the control cavity.

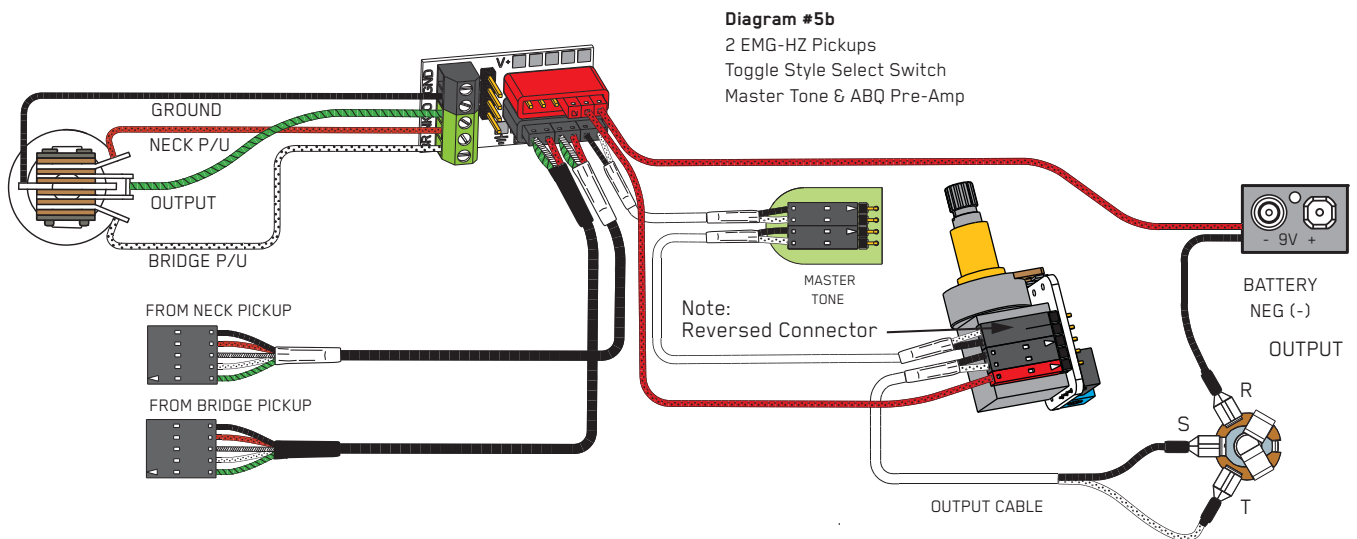
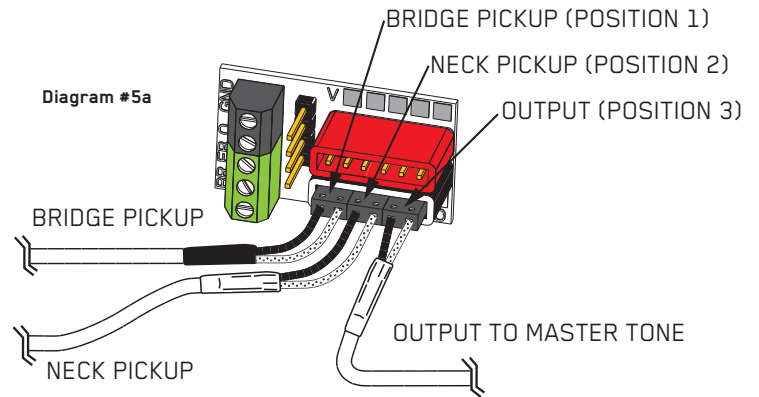


Diagram #6

Soldering to the 152B Panel Jack:

If your instrument has a long Panel Jack like the one below you will have to solder the output cable as shown.

Ground (Black) to the Sleeve

Signal (White) to the Tip

Battery Negative (Black) to the Ring

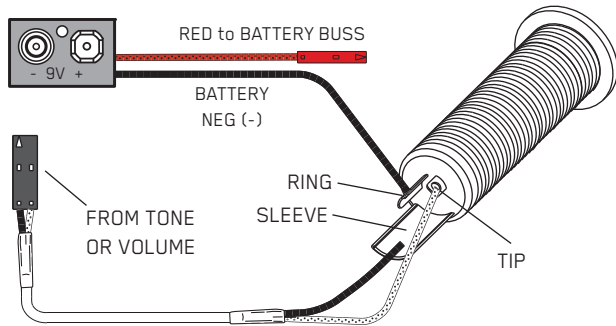


Diagram #7

Soldering to the battery buss:

If you need to solder to the pickup buss for one reason or another simply use some needle nose pliers, pull out the V+ header and solder the RED Wire from the pickup(s) to any of the pins and then re-insert the header into the housing.

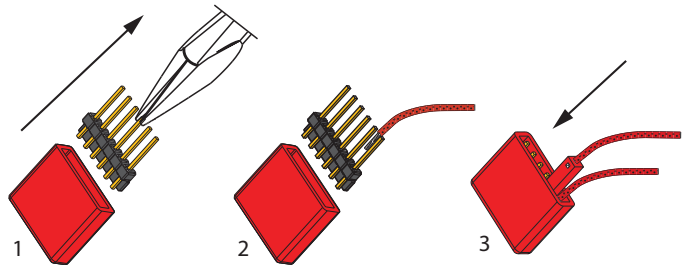


Diagram #8

If the instrument has a Battery Holder:

If your instrument has a 9 or 18-Volt battery holder you can still use the EMG Connectors to supply power to the pickups.

Simply cut and strip the wires from the battery clip provided.

Twist the wires together (Red to Red and Black to Black) and use the shrink tubing included to cover the connections.

Soldering the wires is recommended.

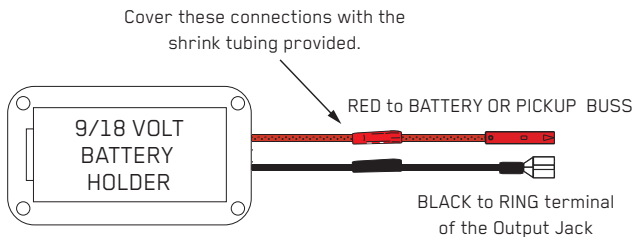


Diagram #9

+18 Volt Wiring Option:

If you want to operate your instrument at +18 Volts for more headroom then use 2 batteries wired as below.

Also, if you are using any type of EQ in your instrument (EMG-BT, BQ) or anything that boosts the pickup signal then +18 Volts is recommended.

